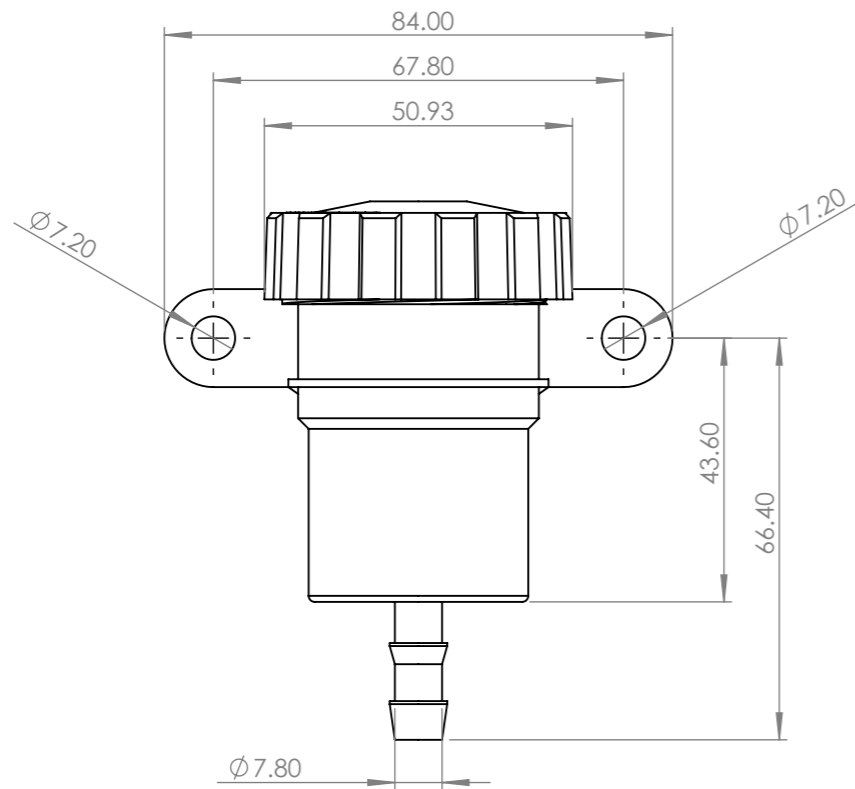
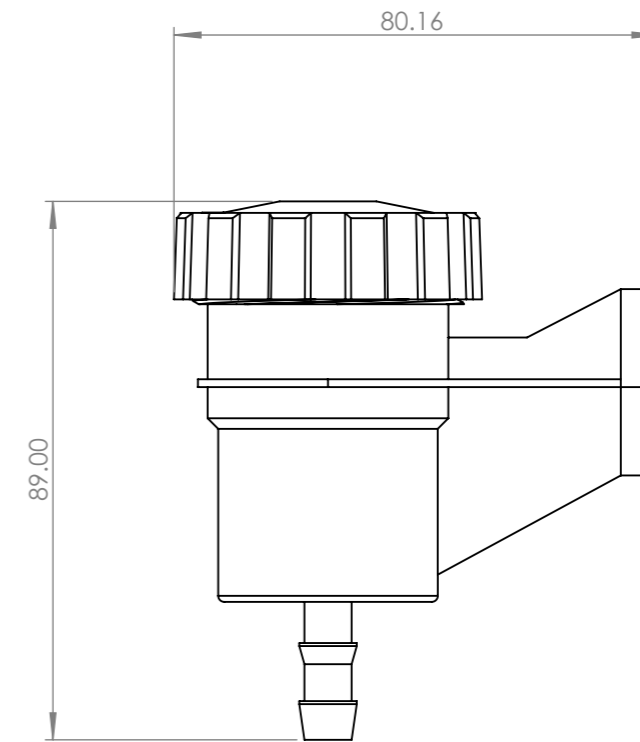


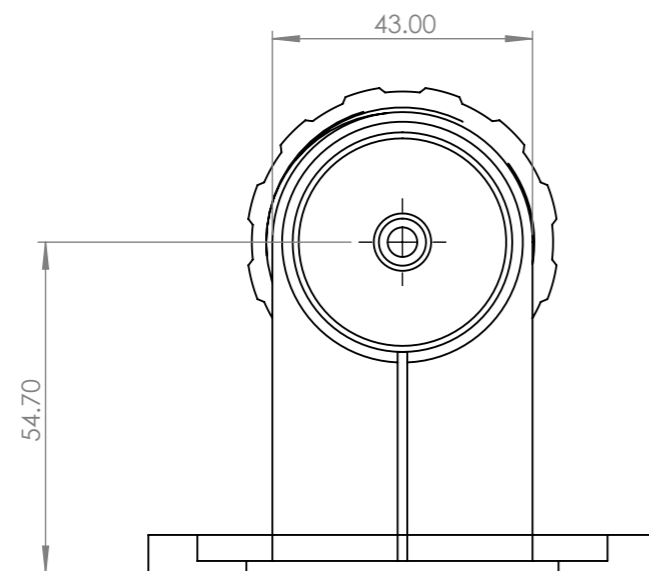
# FL-RR-KIT - OVERALL DIMENSIONS



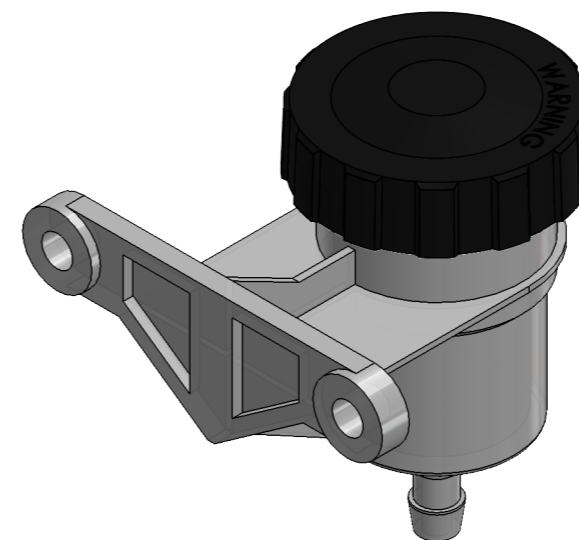
**FRONT VIEW**



**SIDE VIEW**



**BOTTOM VIEW**



**ISOMETRIC VIEW**