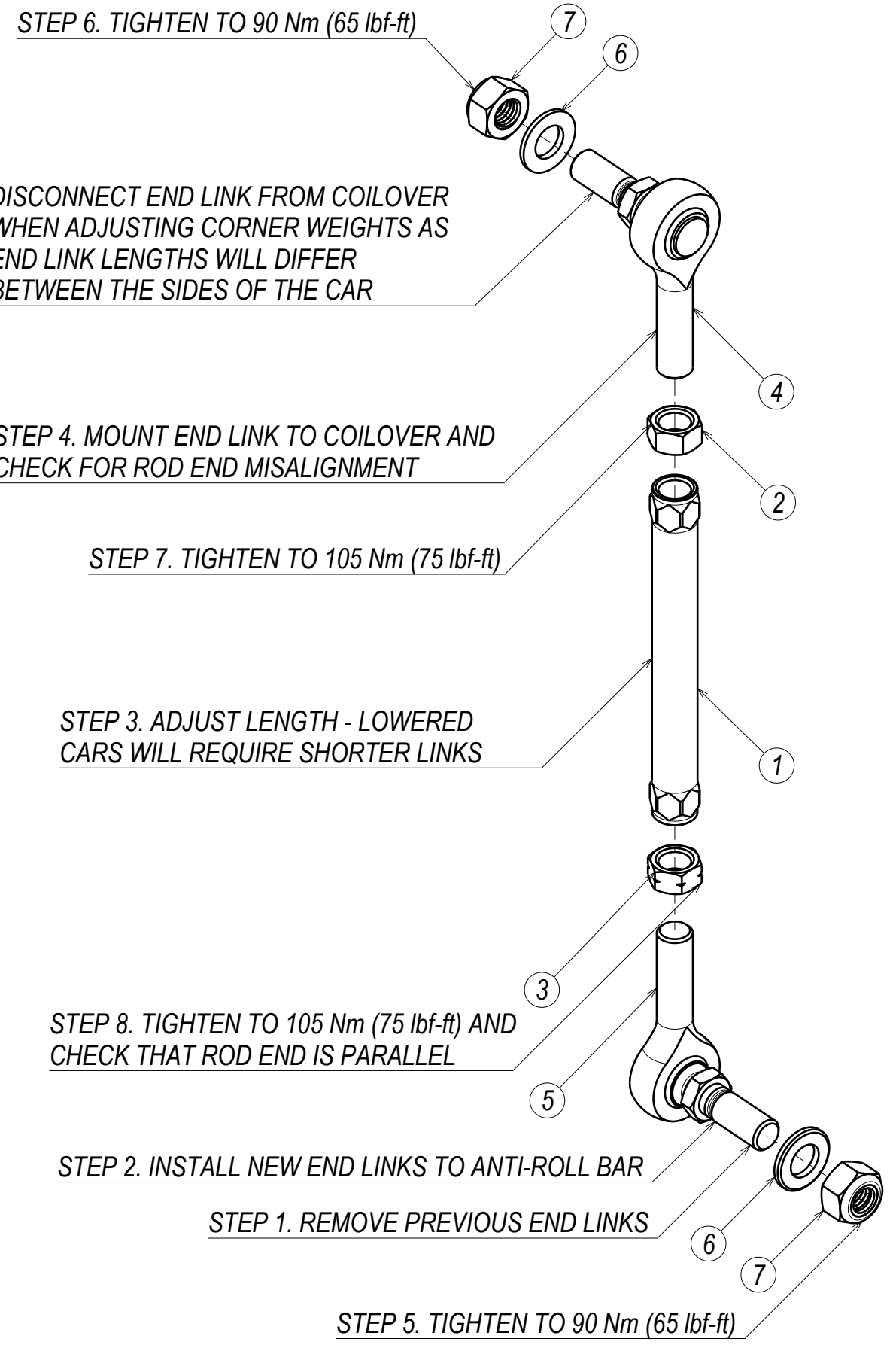
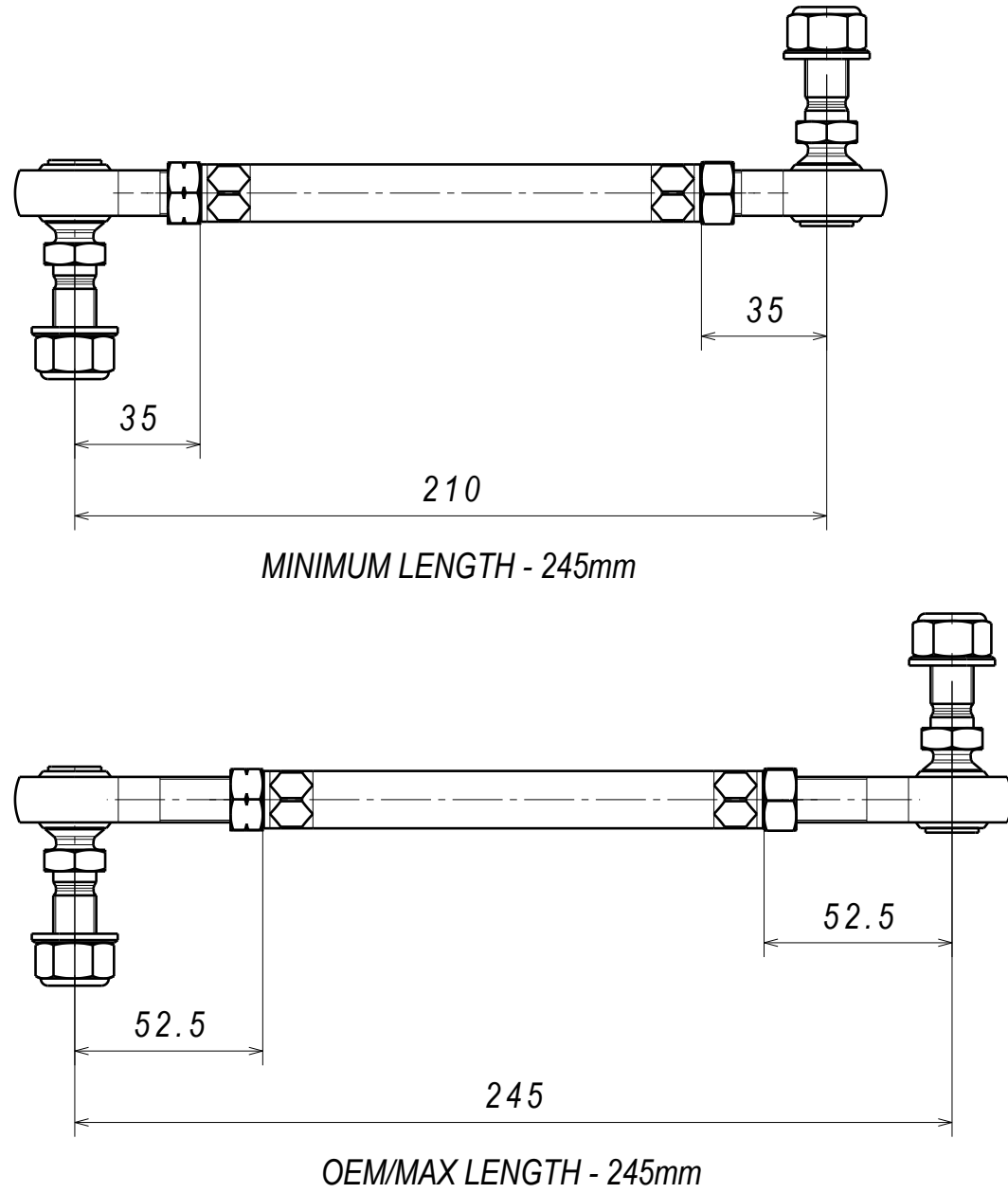
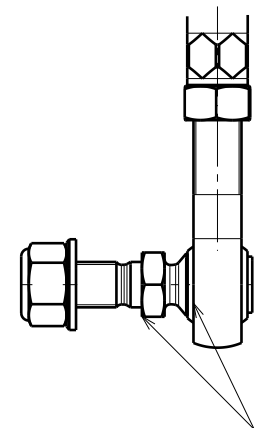


# GT86-FELK



7	DIN 985-8 M12x1.25-10 NYLON LOCKING NUT 8.8	2
6	ISO 7089 WASHER 12x24 STEEL GRADE A PLAIN ZN HOT	2
5	XML8-M12 STUD ROD END	1
4	XMR8-M12 STUD ROD END	1
3	JAM NUT 1/2-20 UNF L/H THREAD	1
2	JAM NUT 1/2-20 UNF R/H THREAD	1
1	GT86 FRONT END LINK ROD	1
PC NO	COMPONENT NAME	QTY



## CRITICAL!

CHECK FOR ROD END BEARING ALIGNMENT AFTER TIGHTENING THE ADJUSTING MECHANISM  
 ROD END TO BE PARALLEL WITH MOUNTING SURFACE