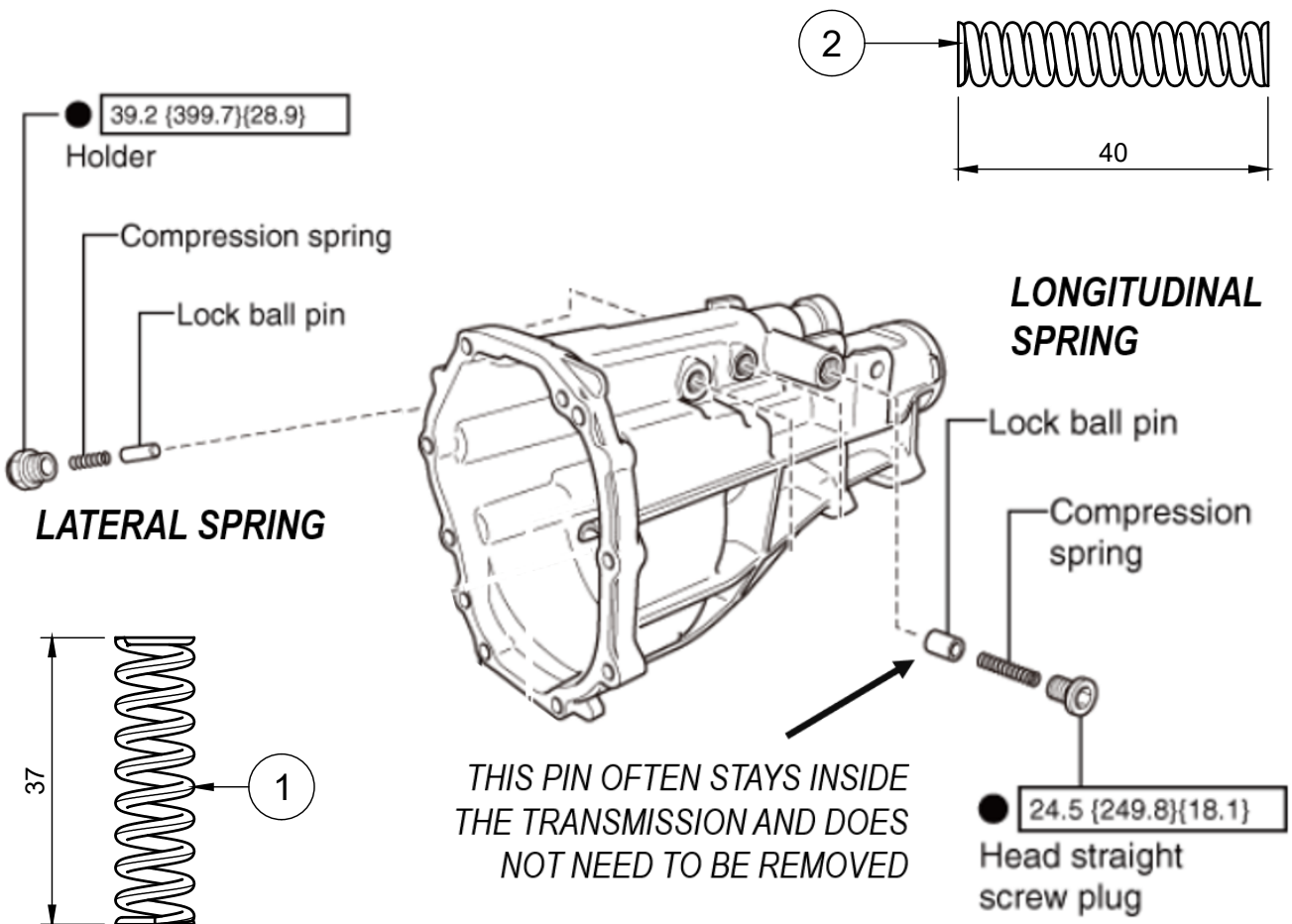


GT86-SPNG

1. FIRST, REMOVE THE OEM SHIFTER SPRINGS FROM THE TRANSMISSION. THESE CAN BE LOCATED USING THE DIAGRAM BELOW.

TAKE CARE TO NOT LOSE THE LOCK BALL PINS OR THE COVER PLUG / HOLDERS AS THEY WILL BE RE-USED.

A PICK TOOL MAY BE REQUIRED FOR THE LONGITUDINAL SHIFTER SPRING AS IT WILL NOT FALL OUT FROM GRAVITY WITHOUT TILTING THE BOX.



2. USE THIS TIME TO CLEAN AND OIL THE COMPONENTS BEFORE RE-ASSEMBLY.
3. ENSURE YOU ARE USING THE CORRECT SPRING, USING THE ANNOTATED DIAGRAMS ABOVE.
4. RE-ASSEMBLE THE TRANSMISSION USING THE STIFFER GKTECH SHIFTER SPRINGS, TO THE TORQUE SPECIFICATIONS SUPPLIED ABOVE (TAKE CARE WITH THE LATERAL SPRING HOLDER AS IT IS EASILY CROSS THREADED).

2	LONGITUDINAL SHIFTING SPRING	1
1	LATERAL SHIFTING SPRING	1
Item	Description	Qty
Parts List		

gktech
com