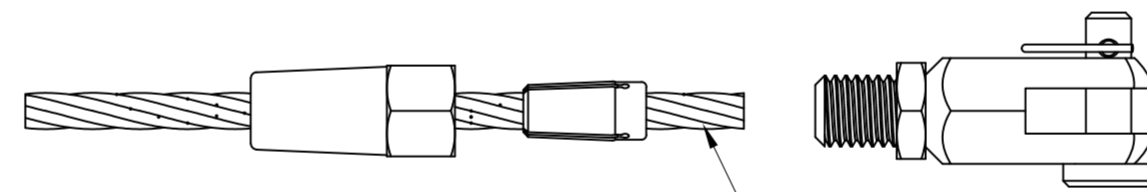
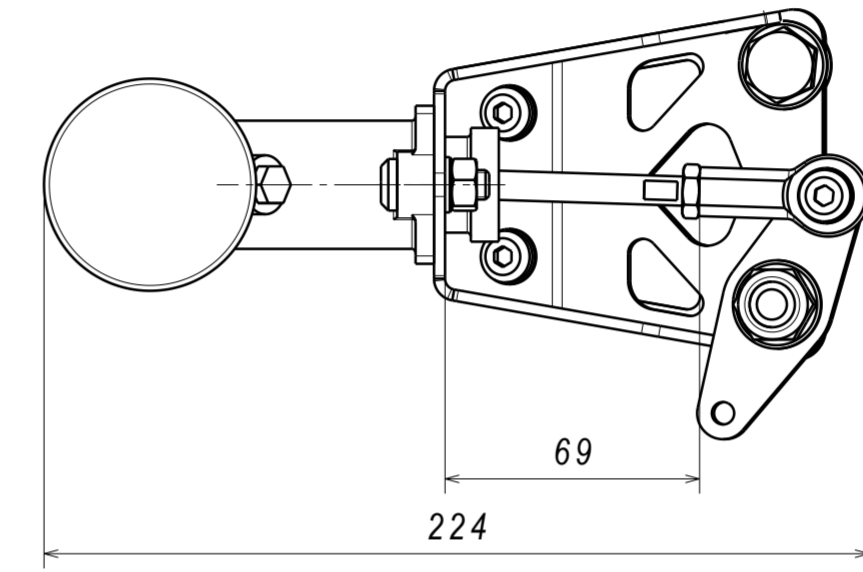
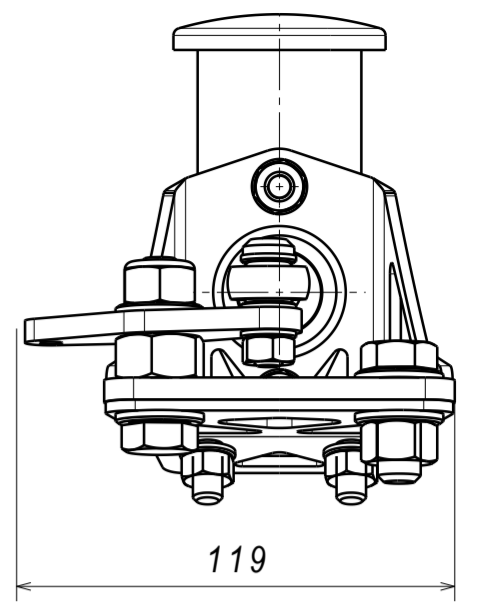
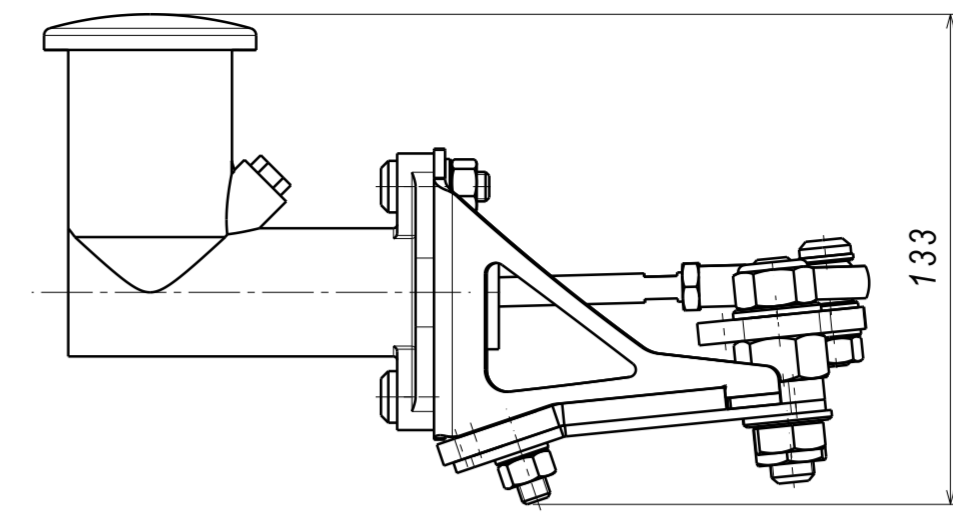
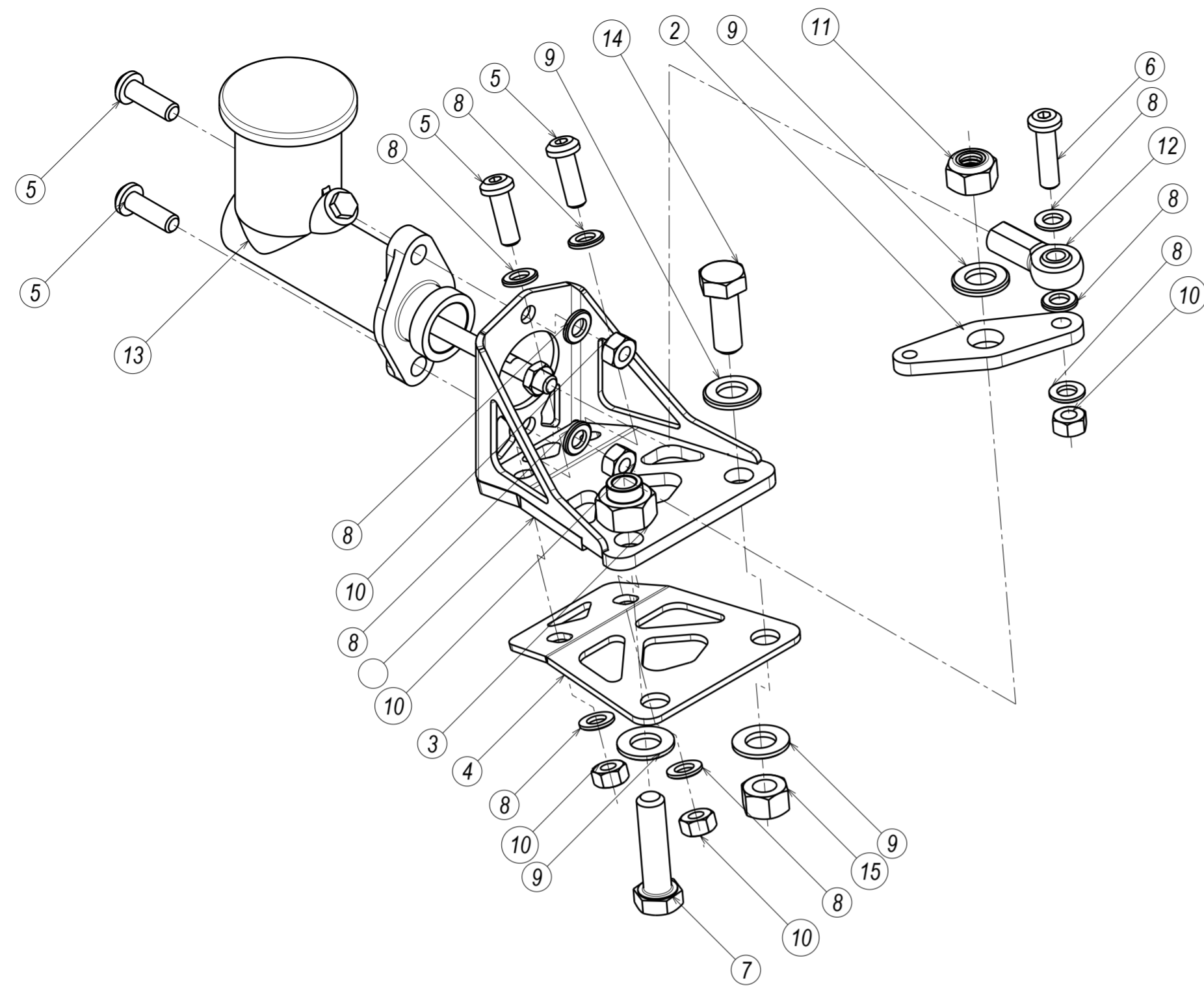


HDDN-HBRK



Solder can be melted onto the cable end
To prevent fraying and the cable pulling out

15	ISO 4032 M12	ISO 4032 NUT M12 STEEL GRADE A HEXAGON 8.8 ZN	STEEL	1
14	ISO 4017 M12x30	ISO 4017 SCREW M12x30 ZN	STEEL	1
13	Wilwood 260-2636	Wilwood 260-2636 MASTER CYLINDER 5/8"	-	1
12	QA1 NFR5	ROD END QA1 NFR5 FEMALE	STEEL	1
11	DIN 985 M12	NYLON LOCKING NUT DIN 985-8 M12x1.75-10	STEEL	1
10	ISO 4032 M8	ISO 4032 NUT M8 10.9	STEEL	5
9	ISO 7089 12x24	ISO 7089 WASHER 12x24 ZN	STEEL	4
8	ISO 7092 8x15	ISO 7092 WASHER 8x15 ZN	STEEL	9
7	ISO 4017 M12x45	ISO 4017 SCREW M12x45 10.9	STEEL	1
6	ISO 4762 M8x30	ISO 4762 SCREW M8x30 10.9	STEEL	1
5	ISO 7380 M8x25	ISO 7380 SCREW M8x25 10.9	STEEL	4
4	GK.100.09.00.03	HIDDEN HANDBRAKE SUPPORT SHEET	STEEL Q420D	1
3	GK.100.05.00.03	HIDDEN HANDBRAKE MOUNTING PIVOT	STEEL Q420D	1
2	GK.100.04.00.04	HIDDEN HANDBRAKE PIVOT LEVER	STEEL Q420D	1
1	GK.100.03.00.03	HIDDEN HANDBRAKE MOUNTING ASSEMBLY	STEEL Q420D	1
PC NO	PART NAME	COMPONENT NAME	MATERIAL	QTY

 YouTube

