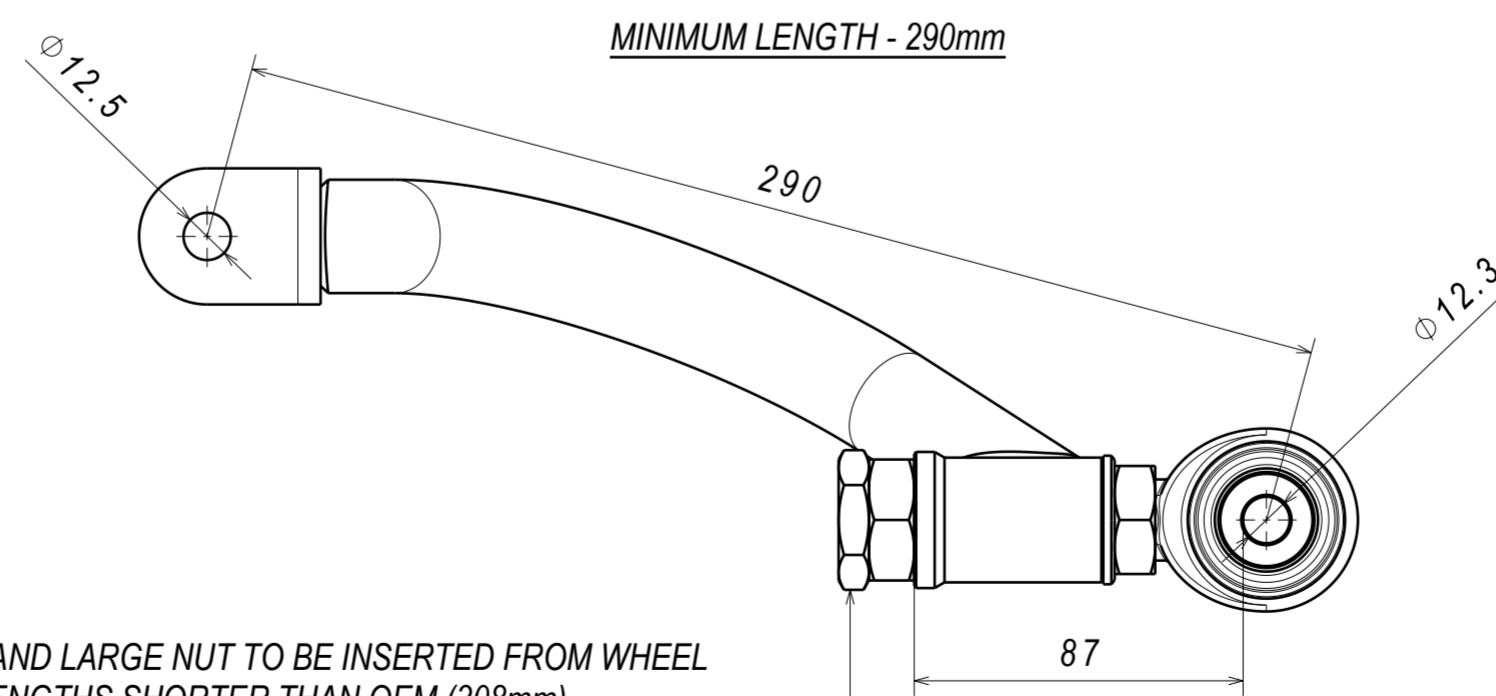
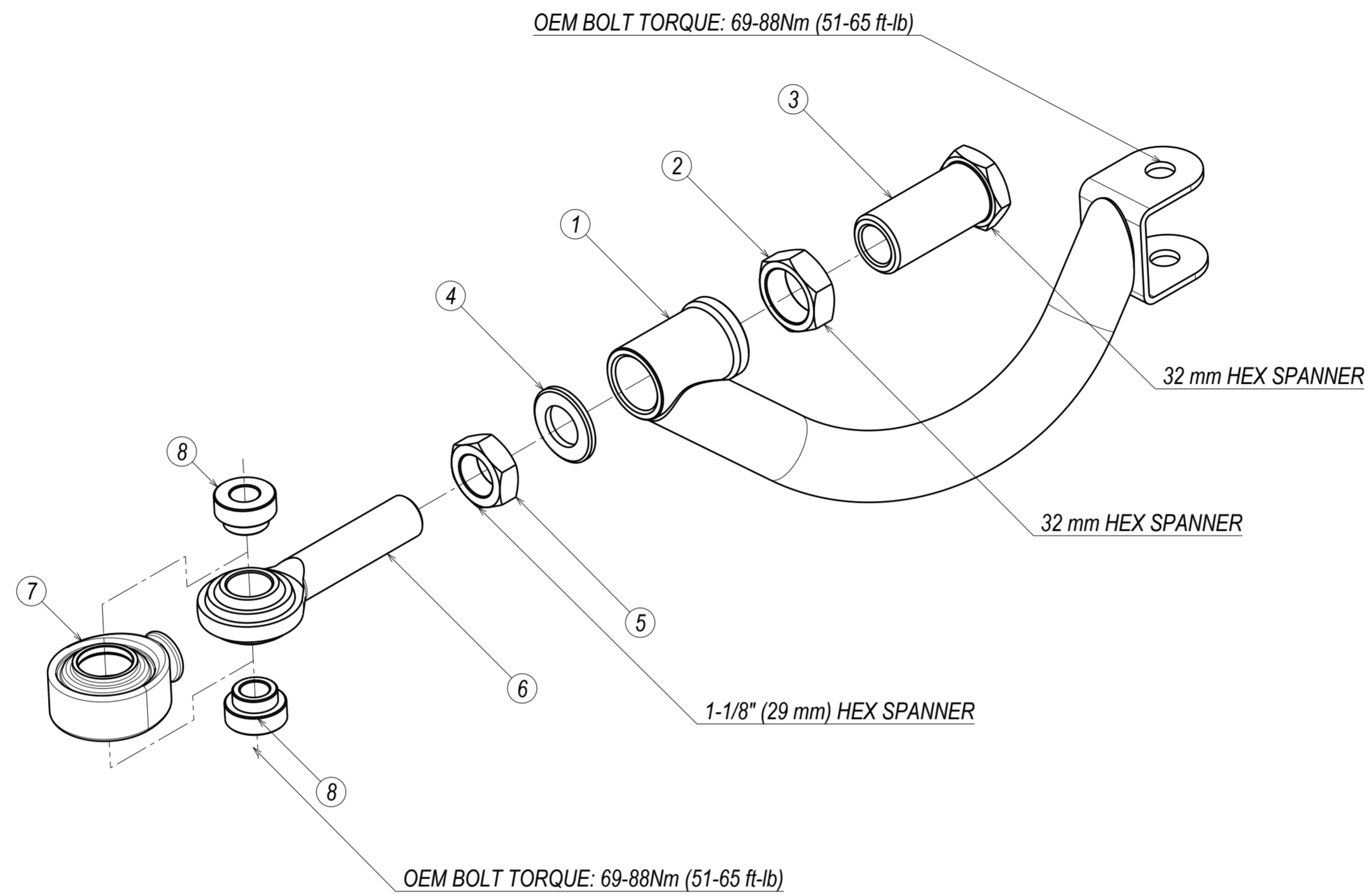


REAR-CMBR 2/2

IT IS POSSIBLE TO MOUNT THE THREAD ADJUSTER FROM THE WHEEL SIDE FOR MAXIMUM NEGATIVE CAMBER.

THIS IS USED WHEN MORE NEGATIVE CAMBER OR BODY CLEARANCE IS REQUIRED THAN IT IS POSSIBLE WITH THE REGULAR ASSEMBLY.



NB! ADJUSTER AND LARGE NUT TO BE INSERTED FROM WHEEL SIDE ON ARM LENGTHS SHORTER THAN OEM (308mm)

NOTE: ADJUSTER WORKS BACKWARDS IN THIS POSITION. WINDING IT IN TOWARDS THE CHASSIS PUSHES THE ROD END OUT

