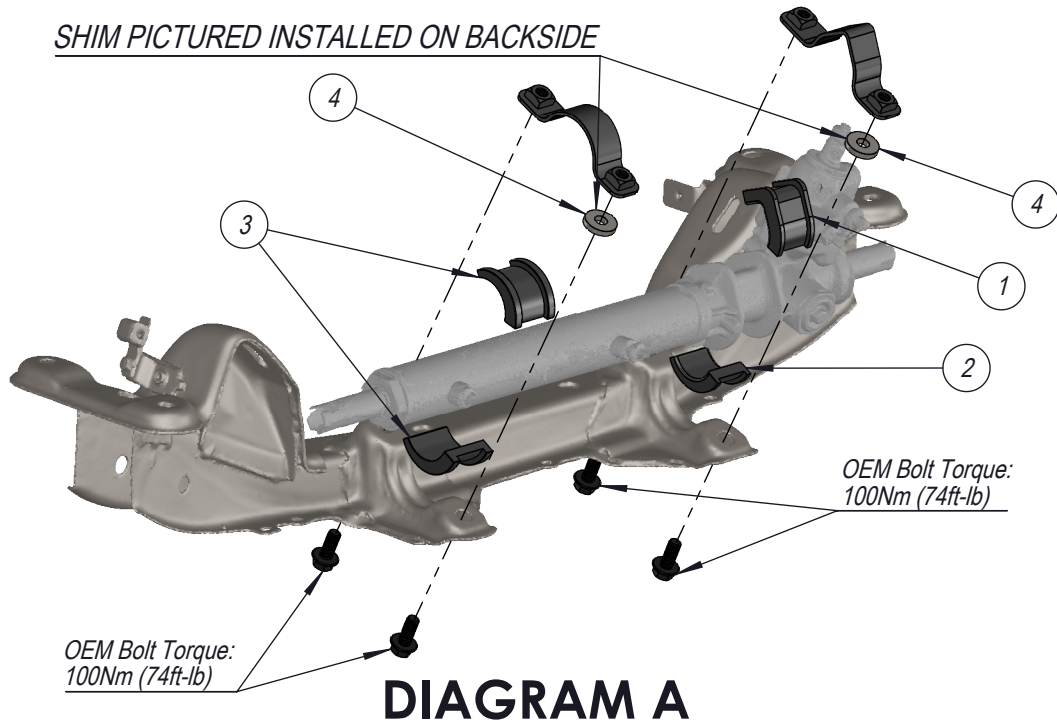


# S13X-RACK / S145-RACK

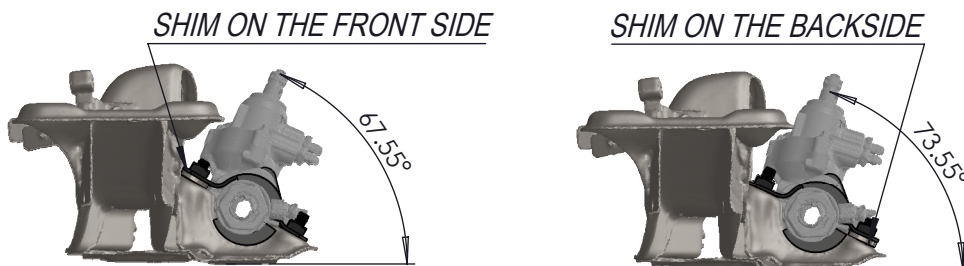


1. INSTALL THE SOLID RACK BUSHES AND STEERING RACK ON TO THE CROSSMEMBER AS SHOWN IN DIAGRAM A.

**\*\*NOTE\*\*** RACK BUSHES DO NOT COVER ALL THE WAY AROUND THE RACK, SO THERE WILL BE AIR GAPS.

2. INSTALL THE OEM RACK MOUNTING BRACKETS AND BOLTS USING THE SHIM INSTALLED AT EITHER THE FRONT OR REAR. DEPENDING ON YOUR SETUP YOU MAY WISH TO HAVE THE RACK ANGLED TO THE FRONT OR REAR, SEE DIAGRAM B.
3. TIGHTEN THE MOUNTING BRACKETS TO 100Nm (74ft-lb). FRIST TIGHTEN THE BOLTS WITH THE SHIMS INSTALLED, THEN THE SECONDARY BOLTS.

**\*\*NOTE\*\*** YOU MAY NOTICE THAT AN AIR GAP REMAINS BELOW THE SECONDARY BOLTS EVEN AFTER TIGHTENING. THIS IS NORMAL AND DUE OT THE CHANGE TO SOLID BUSHINGS.



## DIAGRAM B

ITEM NO.	DESCRIPTION:	QTY:
1	SOLID RACK BUSH ANGLED UPPER	1
2	SOLID RACK BUSH ANGLED LOWER	1
3	SOLID RACK BUSH ROUND	2
4	SOLID RACK BUSH SHIM	2