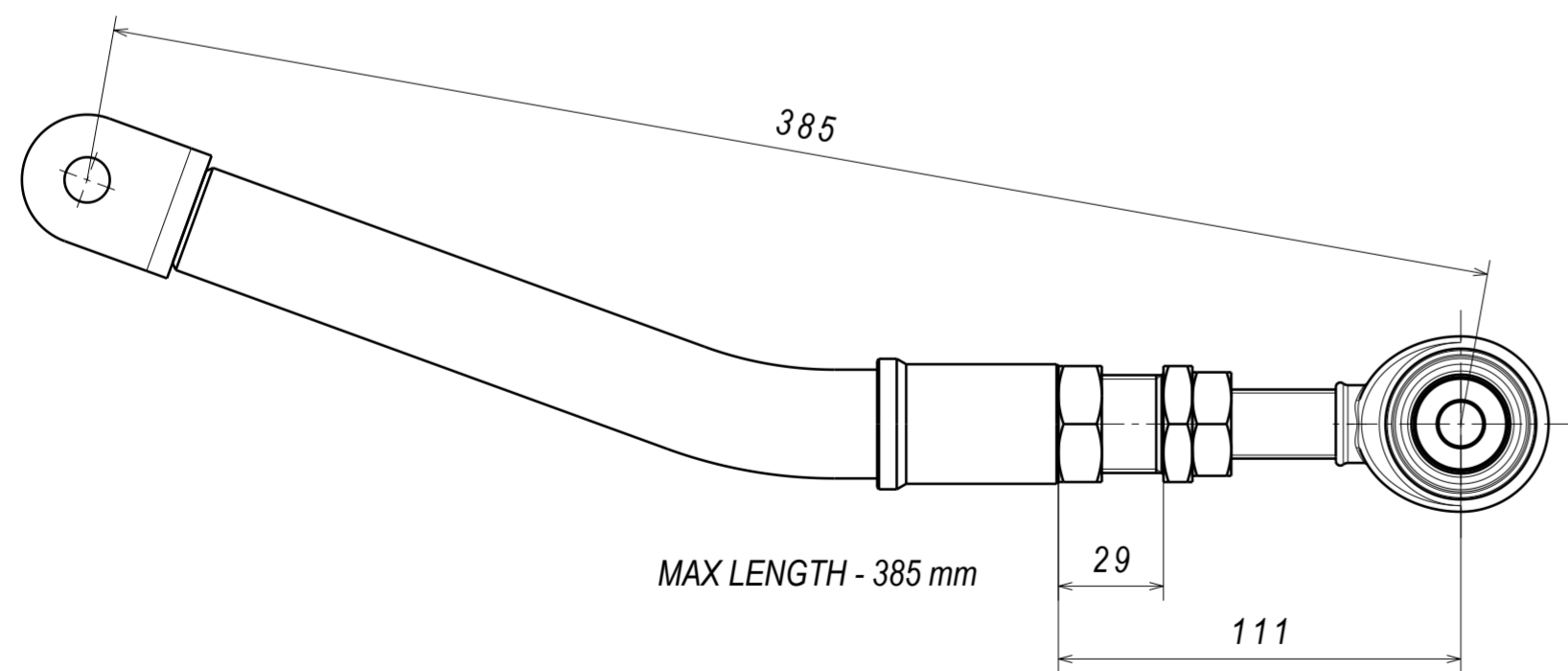
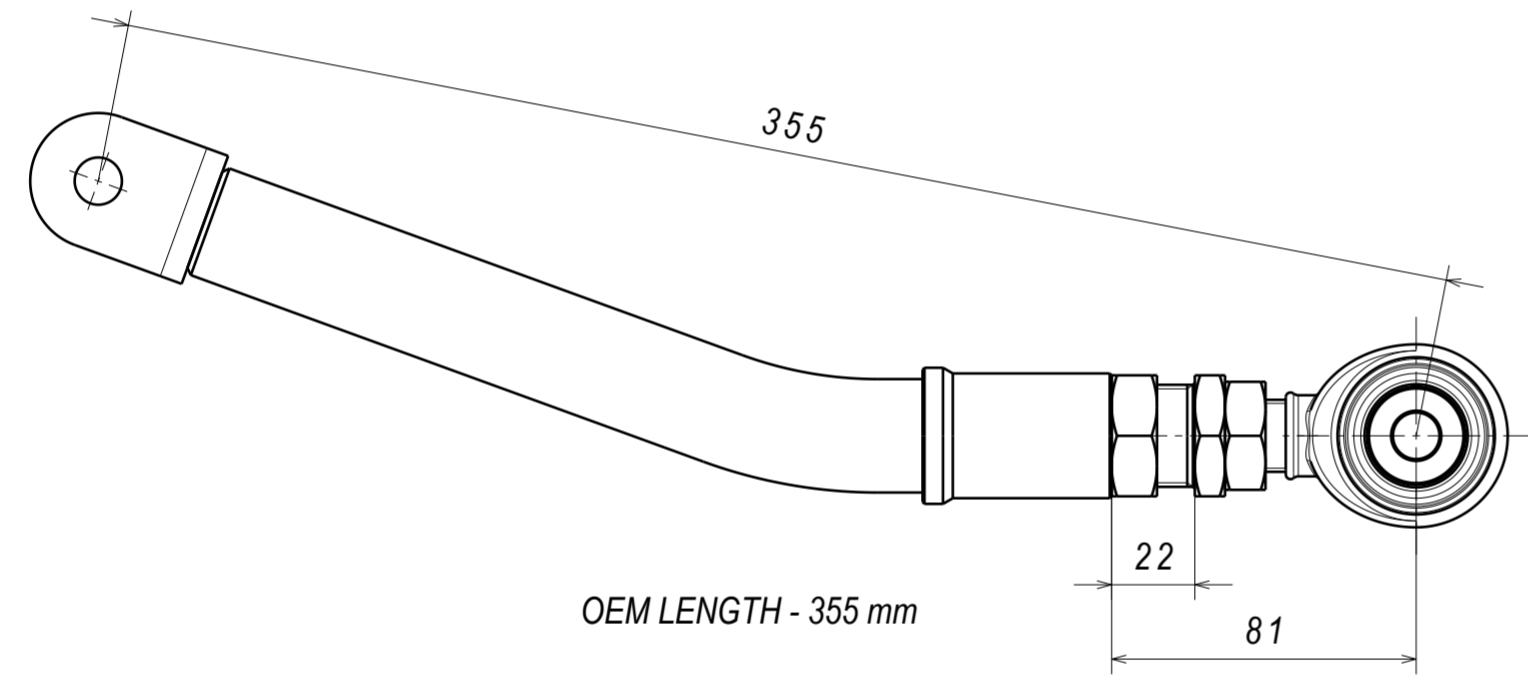
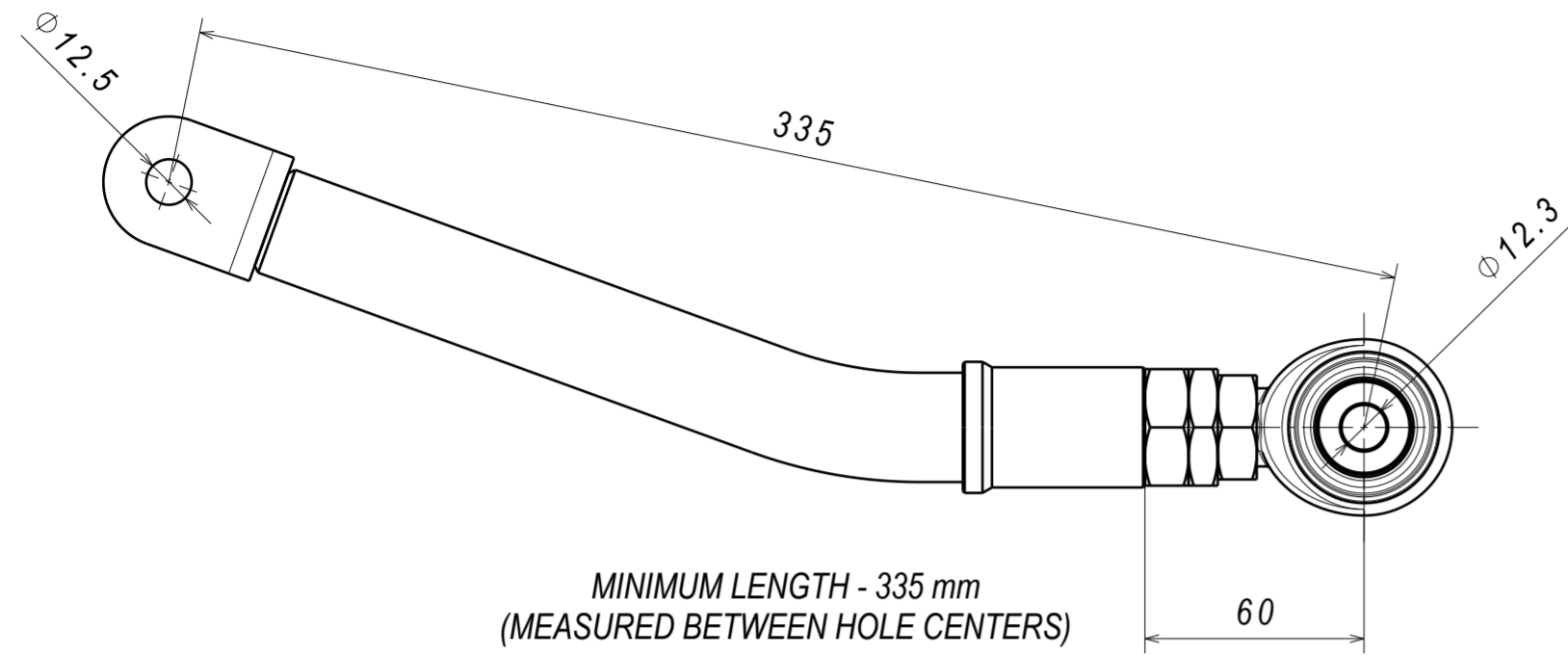
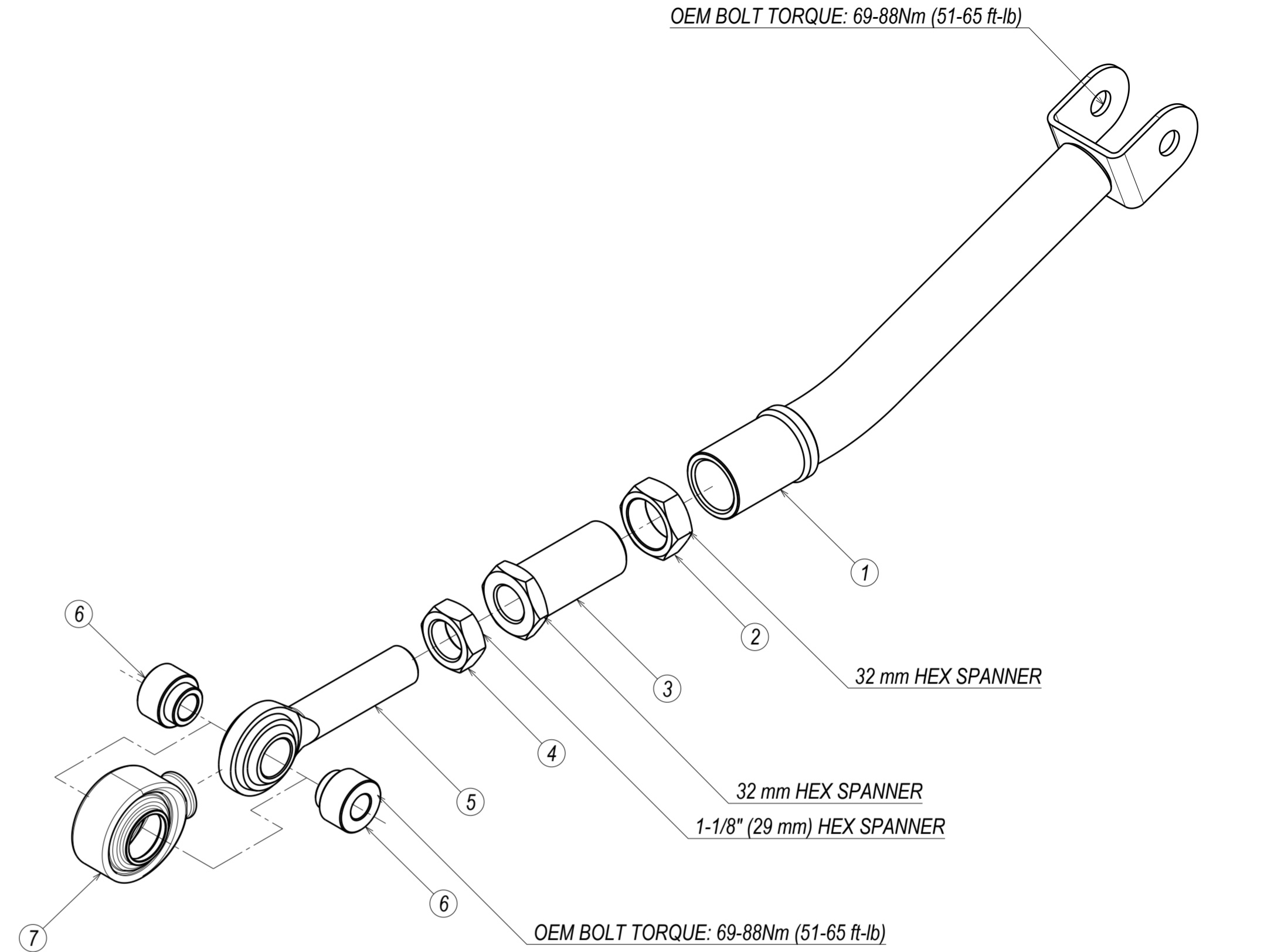


S13-TOEX
S145-TOEX



7	ROD END DUST BOOT PCML12TES	1
6	SPACER	2
5	ROD END PCML12TES	1
4	JAM NUT 3/4-16 UNF 3B LH (HEIGHT 10,7mm)	1
3	VERNIER SLEEVE M27x2 EXT 3/4-16 UNF LH INT	1
2	M27x2 JAM NUT	1
1	TOE ARM BODY	1
PC NO	COMPONENT NAME	QTY



CRITICAL!

CHECK FOR ROD END BEARING ALIGNMENT
AFTER TIGHTENING THE ADJUSTING MECHANISM
ROD END TO BE PERPENDICULAR TO THE SPACERS

