

5. ATTACH SHAFT (3) TO STEERING KNUCKLE AND TIGHTEN NUT (5) TO 85 Nm (70 ft lb.)

4. APPLY MEDIUM STRENGTH THREADLOCK (LOCTITE 243) AND TIGHTEN BOLT (7) TO 125 Nm (92 ft lb.)

3. INSTALL ECCENTRIC SLEEVE (3) IN THE KNUCKLE'S TIE ROD MOUNTING HOLE AND ADD WASHER (5) AND BOLT (7)

1. SCREW IN THE TAPERED SHAFT (2) INTO THE RC BLOCK (1) SO IT FITS BETWEEN OEM KNUCKLE AND GKTECH SPACER WITHOUT PLAY AND GAP

2. INSTALL THREAD ADAPTER (4) USING 12mm HEX KEY INTO RC KIT BLOCK (1). CHECK KNUCKLE SIDE TOP FACE IS EVEN OR BELOW RC KIT BLOCK

6. ATTACH BALLJOINT TO THE RC KIT AND TIGHTEN NUT TO 85 Nm (70 ft lb.)

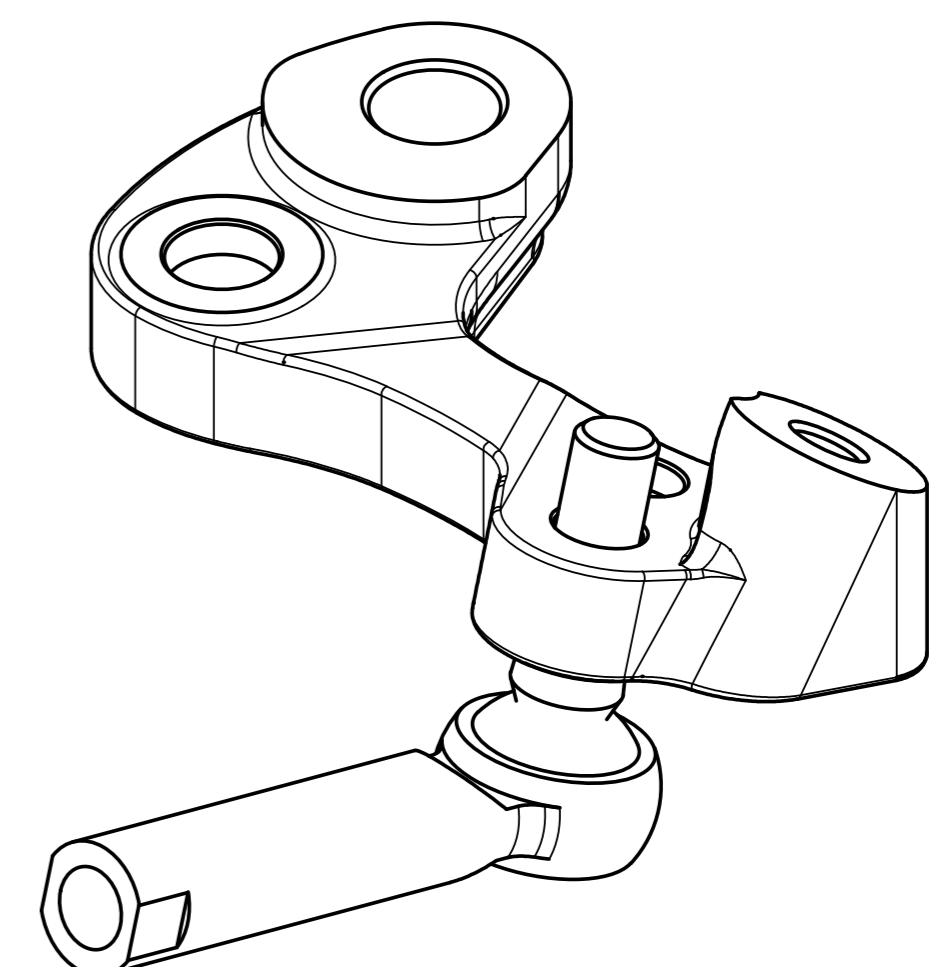
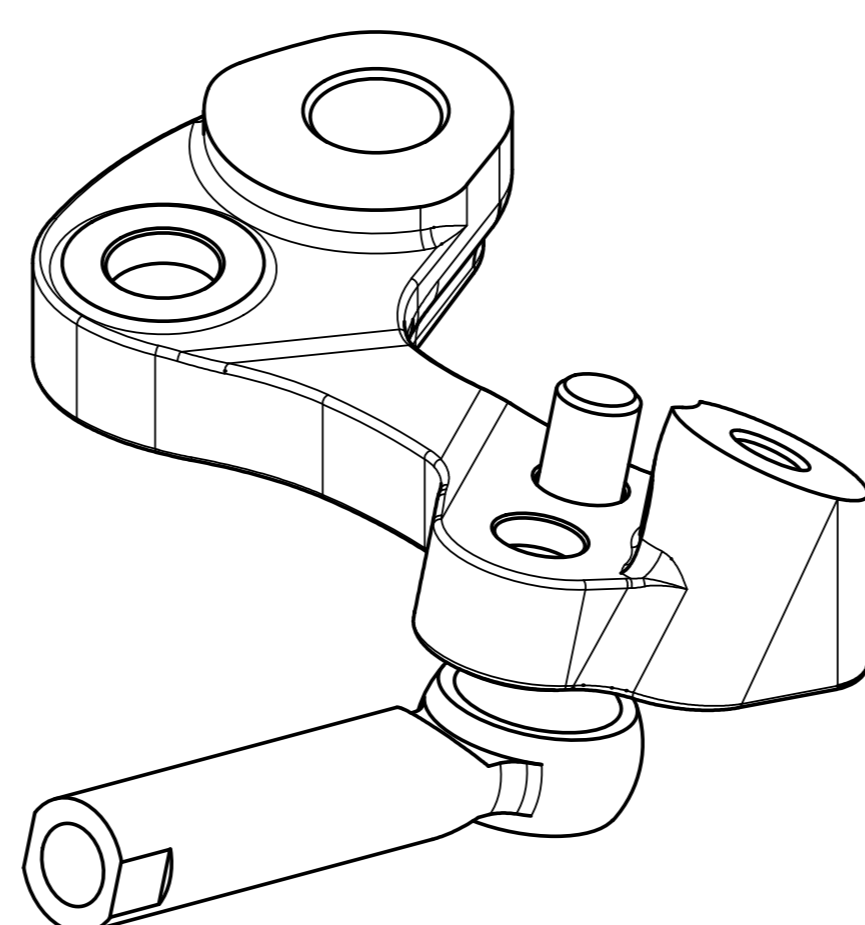
EVEN OR RECESSED

7. ATTACH OUTER TIE ROD TO THE RC KIT AND TIGHTEN NUT TO 75 Nm (50 ft lb.)

8. TIGHTEN NUT TO 90 Nm (65 ft lb.)

OUTSIDE POSITION - LESS ACKERMANN STEERING ANGLE

INSIDE POSITION - MORE ACKERMANN STEERING ANGLE



8	METAL LOCKING NUT ISO 12126 M14x1.5	1
7	ISO 4014 BOLT M12x45 STEEL GRADE 10.9 HEXAGON HEAD	1
6	ISO 7092 WASHER 14x24 ZN	1
5	ISO 7089 WASHER 12x24 ZN	1
4	M18x1.5 > M12x1.75 THREAD ADAPTER	1
3	RC KIT TIE ROD KNUCKLE INSERT	1
2	RC KIT BALLJOINT STUD	1
1	RC KIT BODY	1
PC NO	COMPONENT NAME	QTY