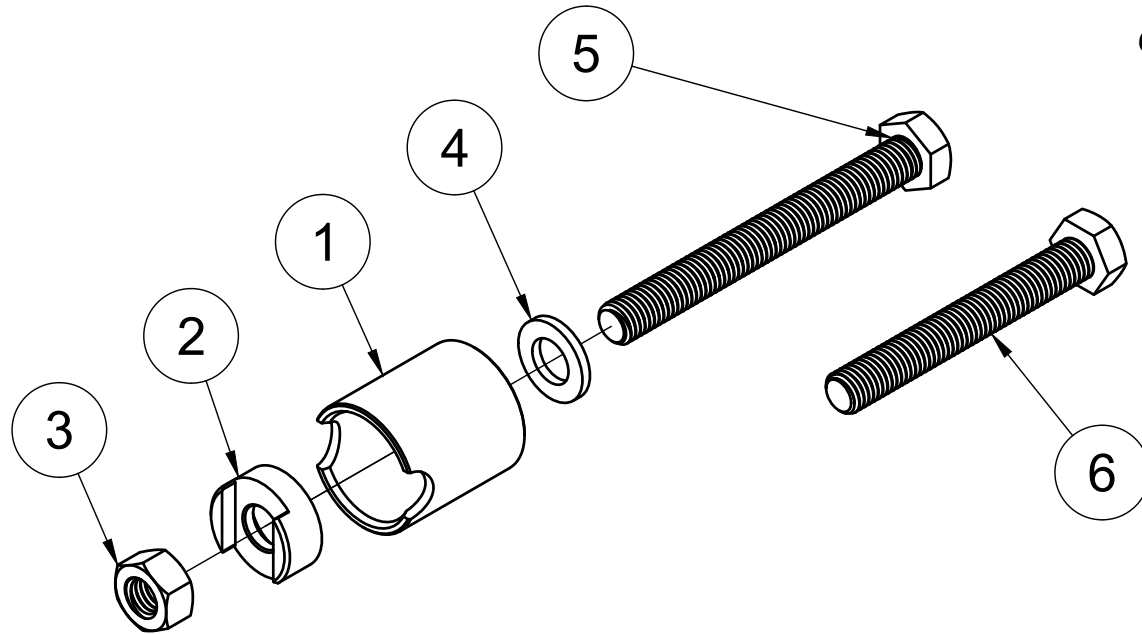


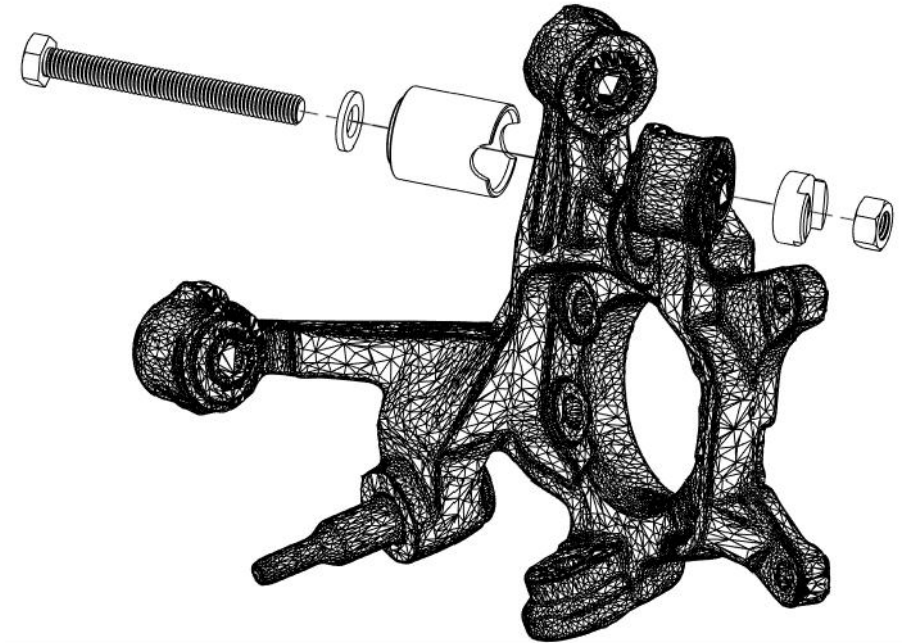
SCHA-KRMV

REMOVAL GUIDE



1. APPLY GENERAL PURPOSE GREASE TO THE THREAD AND NUT FOR LUBRICATION.

2. SETUP THE REMOVAL TOOL AS SHOWN BELOW USING THE LONGER BOLT. ENSURE THE PULL WASHER AND CLEARANCE CUP ARE CENTERED TO THE BUSH.



3. TIGHTEN THE HEAD OF THE BOLT UNTIL THE BUSH IS FULLY PULLED INTO THE CLEARANCE CUP. THE ASSEMBLY WILL THEN COME LOOSE.

4. REPEAT STEPS 1 - 3 UNTIL ALL BUSHES ARE REMOVED.

6	M12 x 1.75 x 90 BOLT	1
5	M12 x 1.75 x 110 BOLT	1
4	M12 WASHER	1
3	M12 NUT	1
2	PULLING WASHER	1
1	CLEARANCE CUP	1
ITEM:	DESCRIPTION:	QTY:
PARTS LIST		

PAGE 1

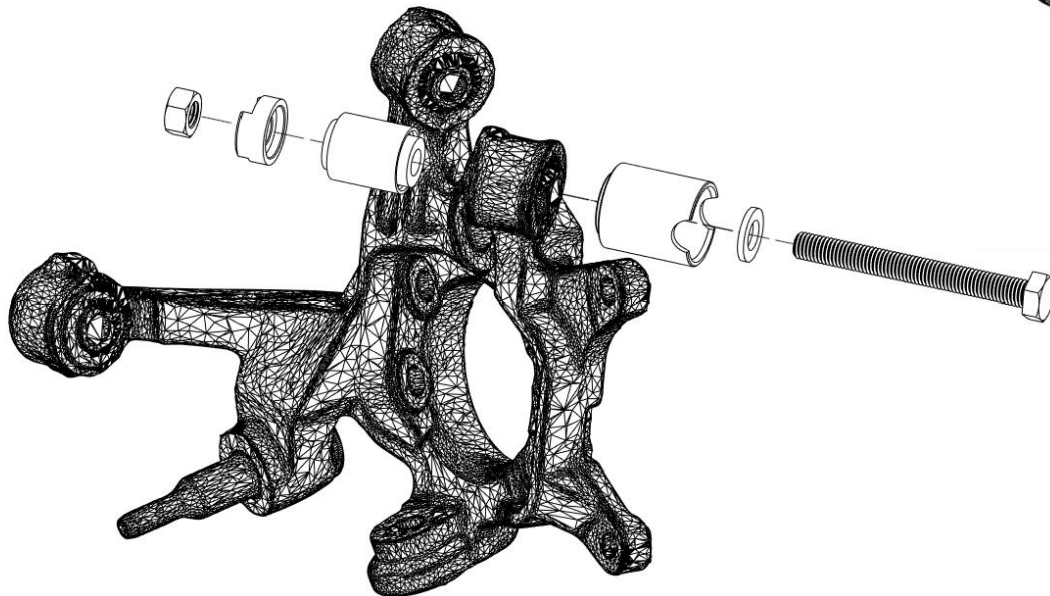
gktech
.com

SCHA-KRMV

INSTALL GUIDE

1. APPLY GENERAL PURPOSE GREASE TO THE THREAD AND NUT FOR LUBRICATION. ALSO CLEAN AND GREASE THE INNER BUSH SURFACE OF THE UPRIGHT.

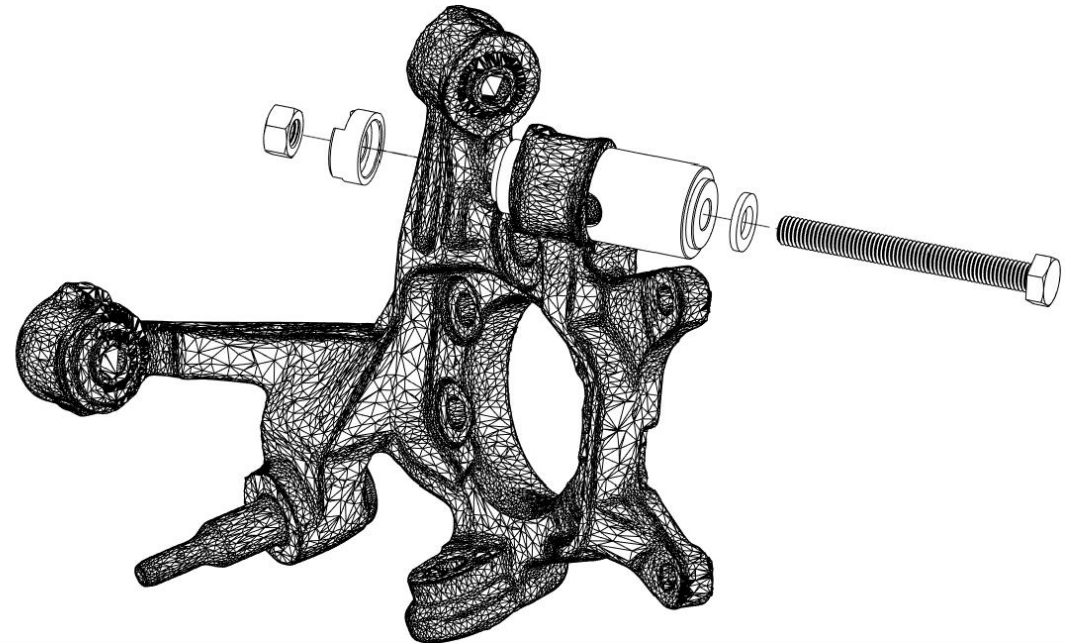
2. SETUP THE INSTALL TOOL AS SHOWN USING THE SHORTER BOLT.



3. SLOWLY TIGHTEN THE BOLT HEAD, MAKING ADJUSTMENTS TO KEEP THE BUSH ALIGNED WHERE NECESSARY.

4. TIGHTEN UNTIL YOU FEEL A SHARP INCREASE IN TORQUE, (THE BUSH WILL NOT BE FULLY SEATED) THEN REMOVE THE TOOL..

CRITICAL FOR GKTECH SPHERICAL BEARINGS, REMOVE INSERT SPACERS PRIOR TO INSTALLATION.****



5. SETUP THE TOOL AS SHOWN ABOVE USING THE LONGER BOLT.

(THE CLEARANCE CUP MUST BE FLIPPED FOR THE FINAL BUSH SEATING PROCESS)

6. TIGHTEN THE BOLT TO SLOWLY SEAT THE BUSH. USE THE SIGHTING HOLE IN THE CLEARANCE CUP AND STOP TIGHTENING ONCE THE BUSH IS FULLY SEATED.

7. REPEAT STEPS 1 - 6 UNTIL ALL BUSHES ARE INSTALLED.

PAGE 2

gktech
com